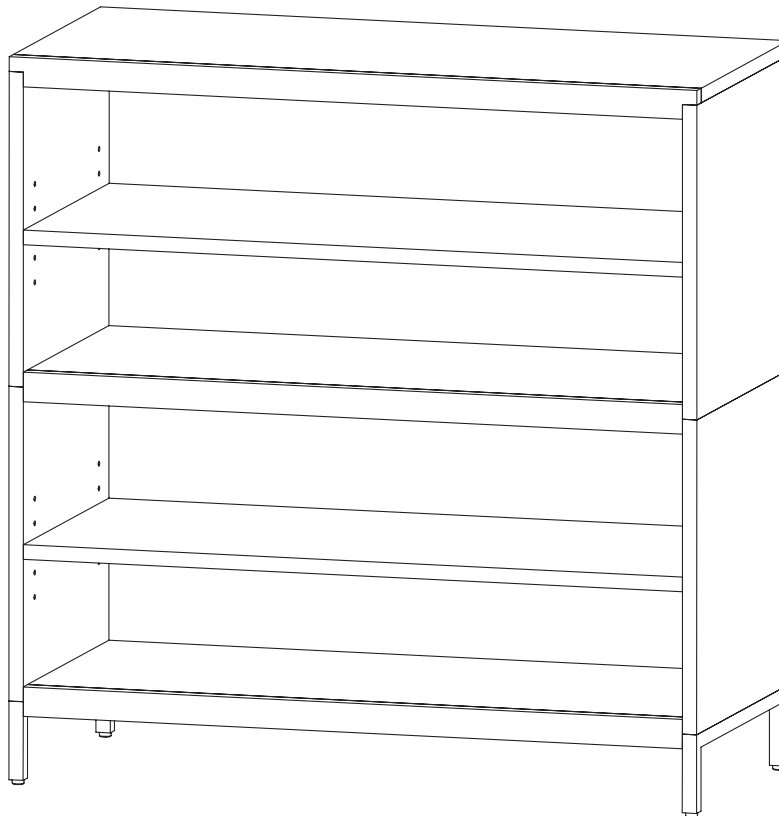


TAYLOR



NOTE

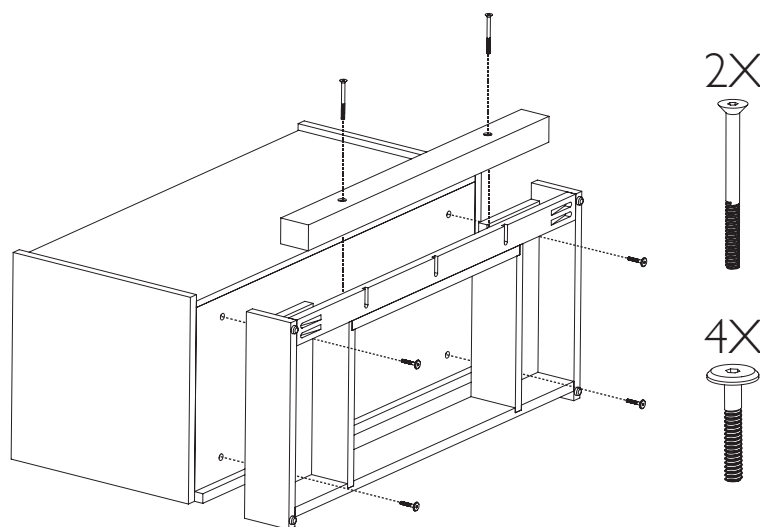
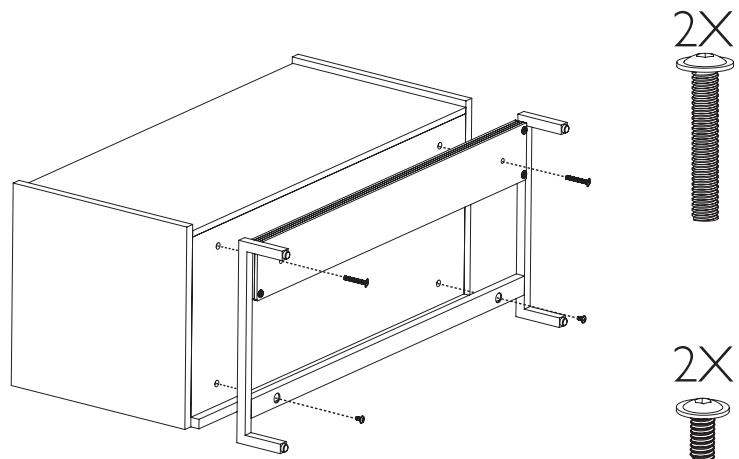
Keep these instructions for future use. Units can be disassembled and reconfigured as desired

Recommended Tools and Materials

- Screwdriver or power drill
- Allen wrench (included)
- Studfinde

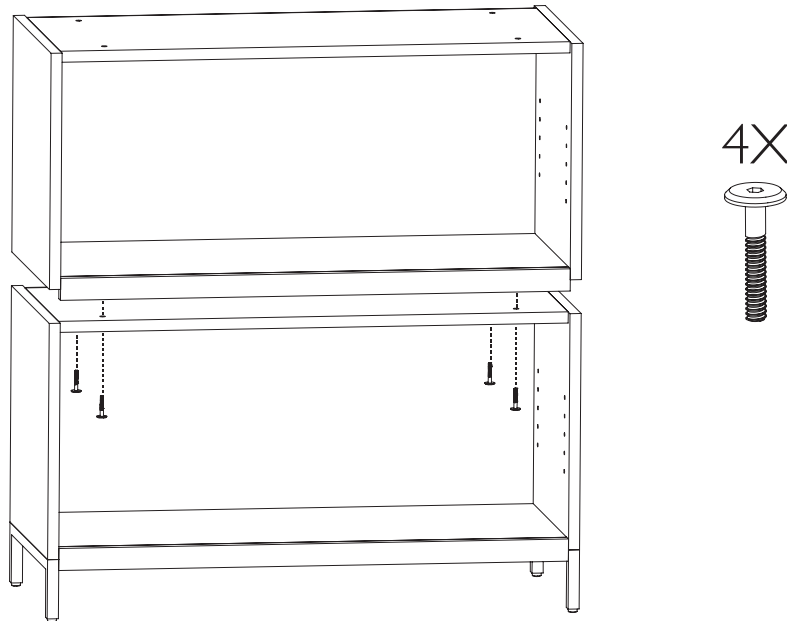
Note: *We recommend assembling this product with two people.*

- 1 Attach the base to the Taylor case piece that will be in the first (lowest) position. To do this, place the case piece on its side or back and fasten the included Allen bolts through the base and into the underside of the case piece. The wood base requires the addition of the included steel counterweight. Install the counterweight before moving on to step 2.



- 2 Stand the assembled piece upright and place against the wall in its intended final location. Next, use a level and the adjustable leveling feet on the underside of the base to ensure the piece is perfectly level front-to-back and side-to-side. If you are assembling multiple pieces positioned next to one another to form a wall unit, position and level all pieces at the same time to ensure they are level with each other.

- 3 If your piece has drawers or a wine insert, remove those components prior to adding additional pieces. To add additional pieces, simply stack one on top of another to form a unit. Use the included Allen bolts to fasten the pieces together from inside the lower piece by inserting the bolts up through the top panel of the lower piece and into the corresponding threaded inserts in the bottom of the piece above. Use the included Allen wrench to tighten the bolts completely.



- 4 Repeat steps 2-3 as needed to achieve your intended design

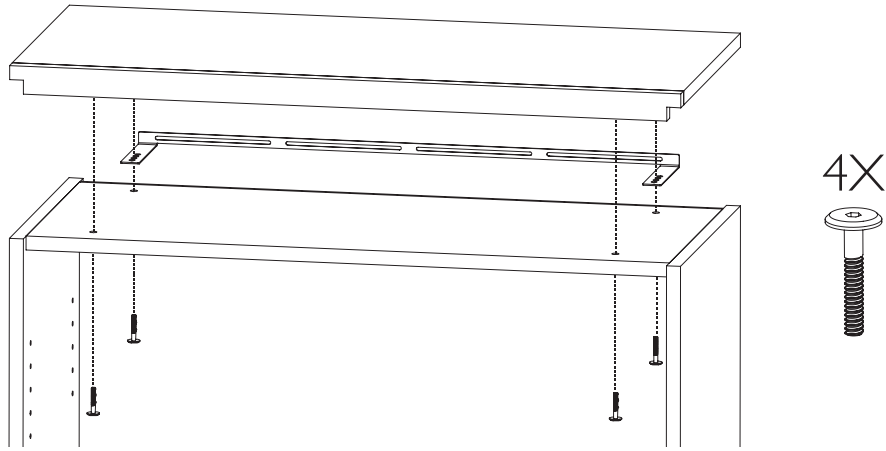


CAUTION

*Pieces with drawers should never be positioned above 36 inches.
Drop-down desk pieces should only be placed in the lowest position.*

- 5 After installing the upper most pieces, the unit MUST be attached to the wall using the included wall-mounting bracket system, regardless of overall height. Place the bracket on the top-most piece so that its holes align with the bolt holes in the top of the piece. Multiple sets of holes are provided on the bracket to accommodate differing baseboard and molding styles. Use a studfinder to find two different attachment points that align with the holes in the bracket, and secure the unit to these two places using screws. Drywall anchors are included if you are unable to fasten directly to a stud. If attaching to a wall surface other than drywall, alternative hardware may be required; contact a professional.

- 6 After the bracket is installed, place the finished wood top on top of the unit. Use the included Allen bolts to fasten the lid through the upper most piece in the same way the cases below were assembled. Your full unit should **NEVER** exceed 86" in total height (including base and lid components).



- 7 Complete your assembly by re-installing any drawers, adjustable shelves or insert components that you removed in previous steps.

