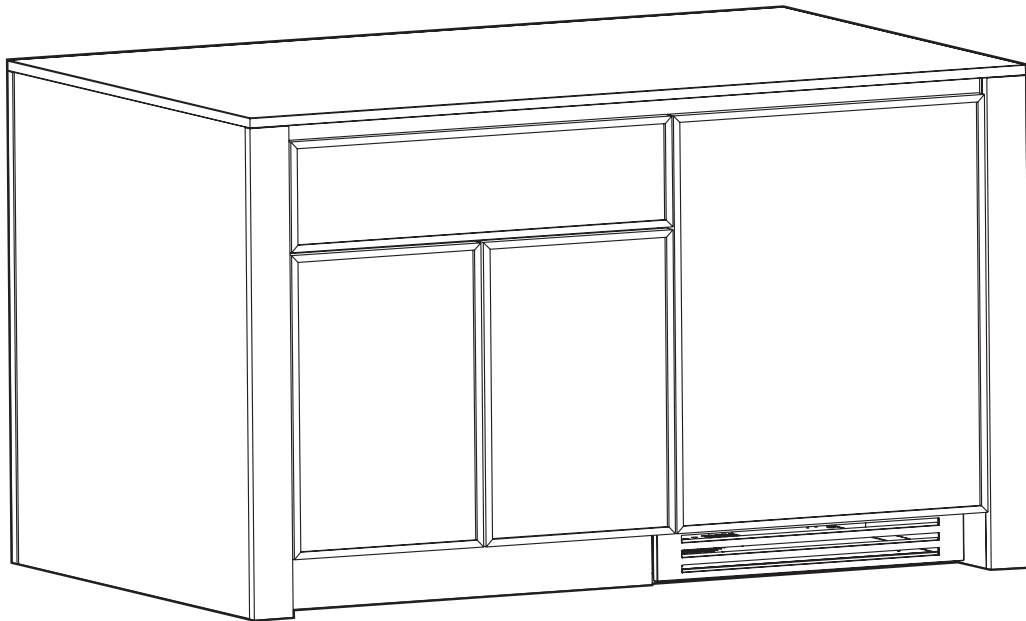


AMHERST KITCHEN ISLAND



CAUTION

Please reference the included True Refrigeration Install Guide & User Manual for important warnings.

Recommended Tools and Materials

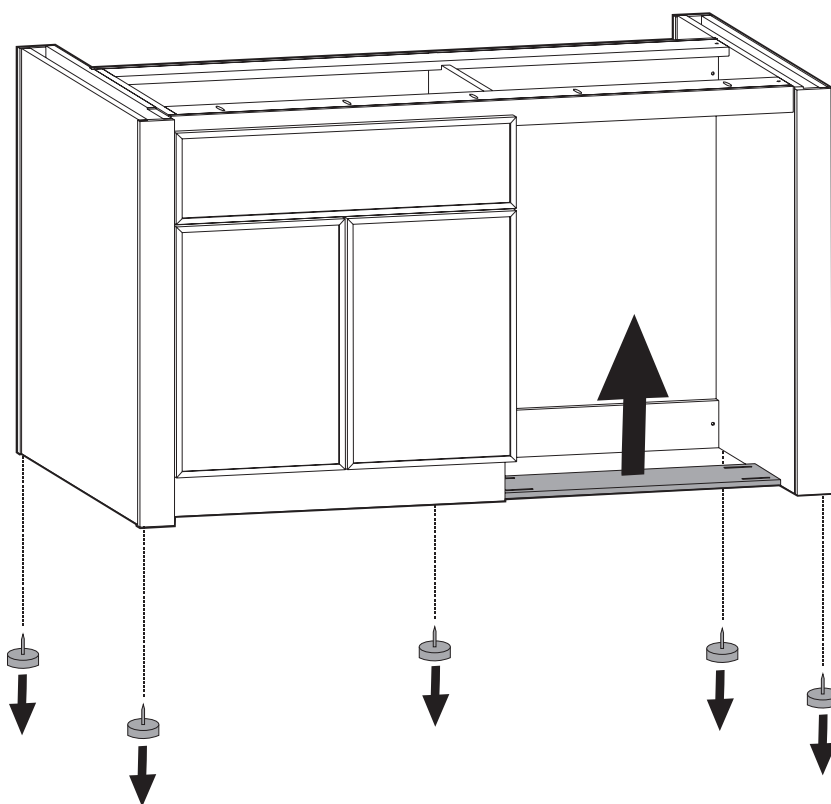
- Screwdriver or power drill
- Quick-clamp
- #2 Square Driver Bit

Note: *We recommend assembling this product with two people.*

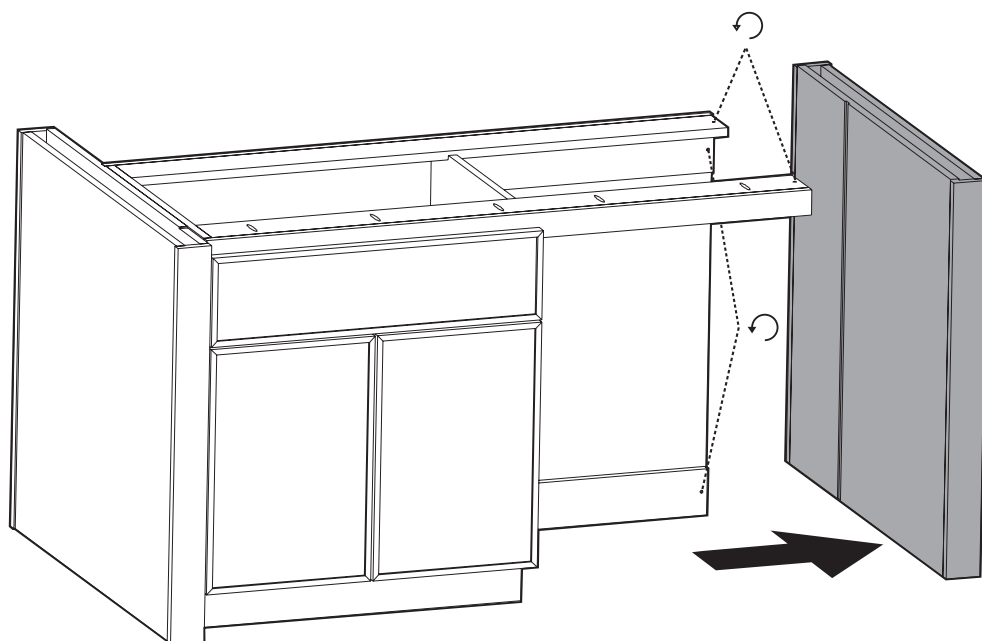
This Product Includes

- | | |
|------------------------------|-----------------------------|
| A. Cabinet | E. Refrigerator cover panel |
| B. Shipping support crossbar | F. Allen wrench |
| C. Shipping screws (x4) | G. Stone top |
| D. Refrigerator | |

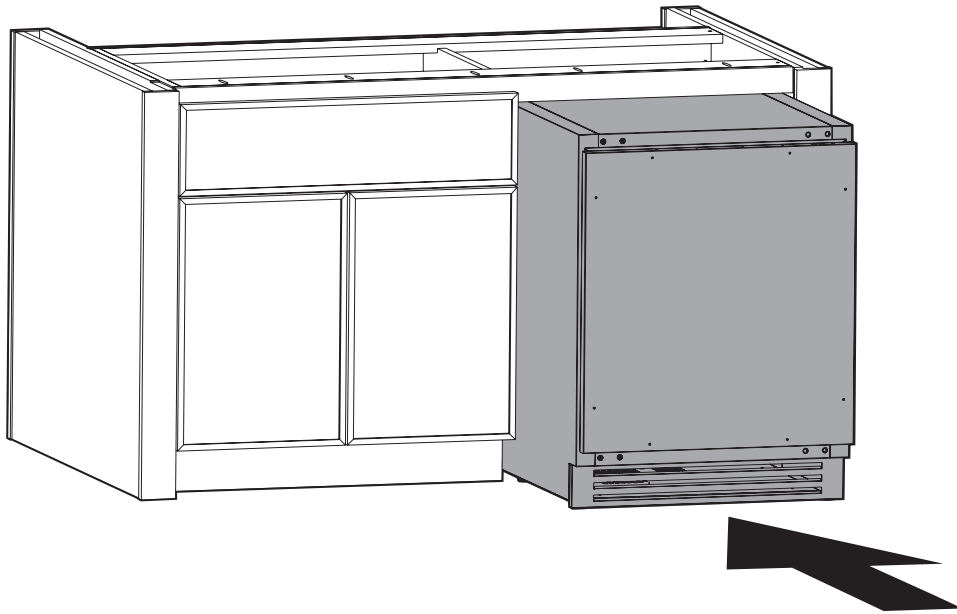
- 1 Remove shipping support crossbar and tack glides. Use a screwdriver or pliers to remove the 6 tack glides on the bottom of the case. Use a screwdriver or drill to remove the 4 screws that connect the temporary shipping support crossbar to the cabinet. The tack glides, crossbar and screws can be disposed of; they are only used for shipping purposes.



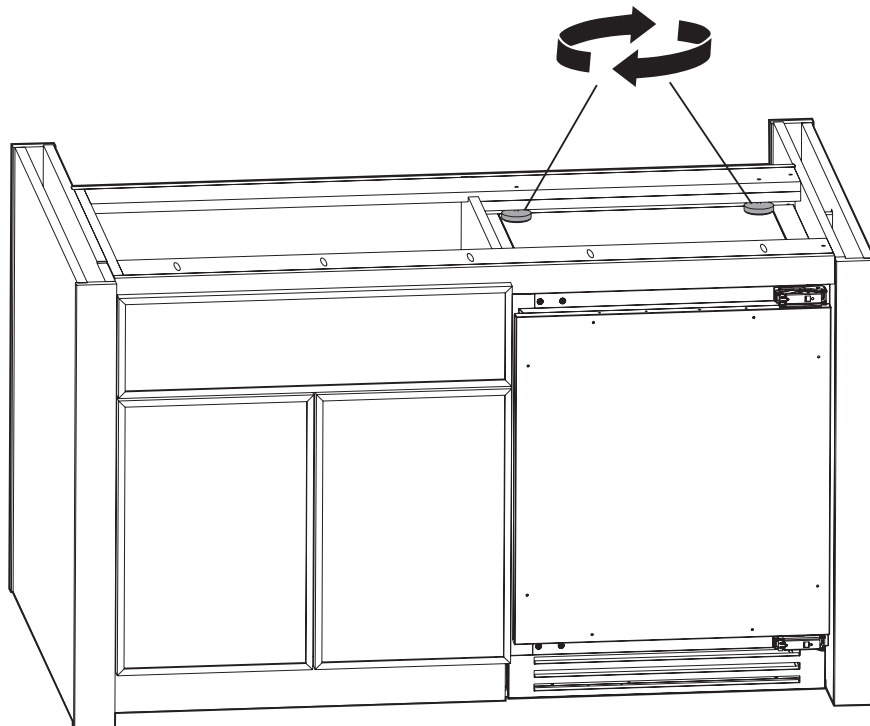
NOTE: Both side panels are removable to accommodate tight fits through doors and hallways. The left side has six bolts that are easily removable with the included Allen wrench. The right side has four locking connection tabs that can be unlocked by using the included Allen wrench to turn them $\frac{1}{4}$ of a rotation counter clockwise.



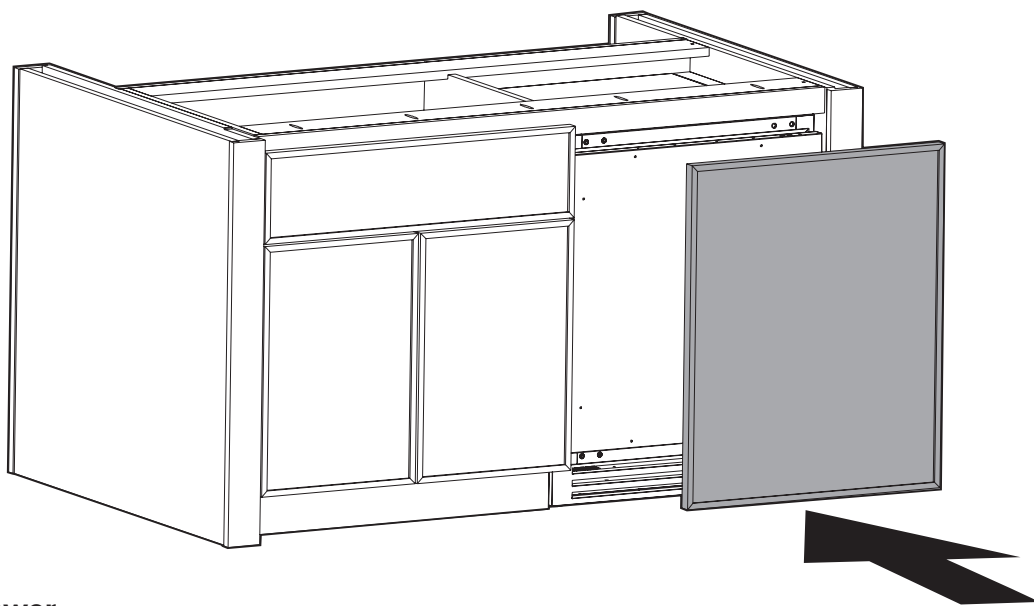
- 2 Insert refrigerator. With the unit near its final position, slide the refrigerator into place. The leveling feet on the bottom of the refrigerator can be used to tune the fit and stability. Guide the refrigerator power cord into the wire management hole on the inside of the case.



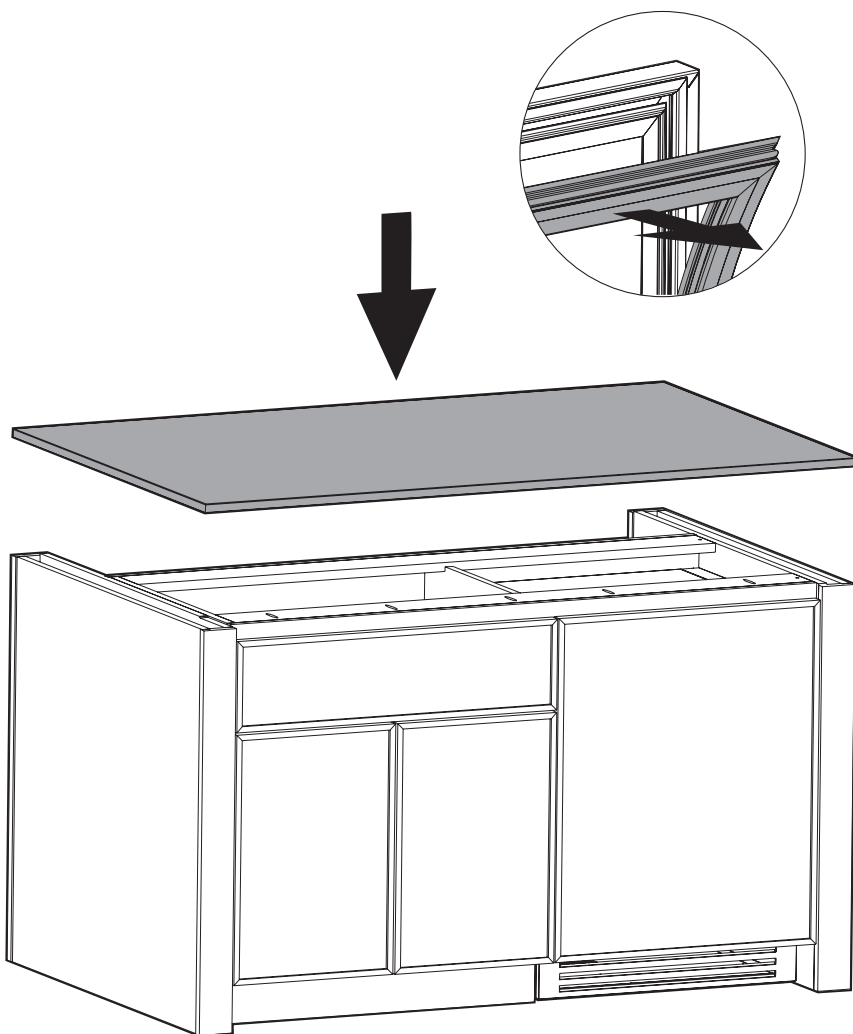
- 3 After positioning the refrigerator in its final position, rotate the two plastic anti-tip discs until they press firmly onto the refrigerator. These discs prevent the refrigerator from tipping forward during use.



4a **Instructions for door panel.** Visually align and center the refrigerator cover panel with the doors and drawers, keeping the side with the grooved handle facing up. With a clamp or very firm grip, hold the panel in place while gently opening the door. Have a second person mark at least one drilling location on the panel through the L-brackets that are on the top and bottom of the door.



4b **Instructions for 2-drawer panels.** Open each drawer and peel back the rubber gaskets around the perimeter of the drawer backsides, then close each drawer. While each drawer is closed, visually align the drawer cover panels with the other doors and drawers of the cabinet, keeping the sides with the grooved handles facing up. With clamps or a very firm grip, hold the cover panels in place on the drawers and gently open the drawers. Then, use the included wood screws to secure the drawer cover panels by screwing through the recessed gasket channels and into the drawer cover panels. Press the rubber gaskets back into place when complete.



5 Add stone top. With two people, gently set stone top on top of cabinet.