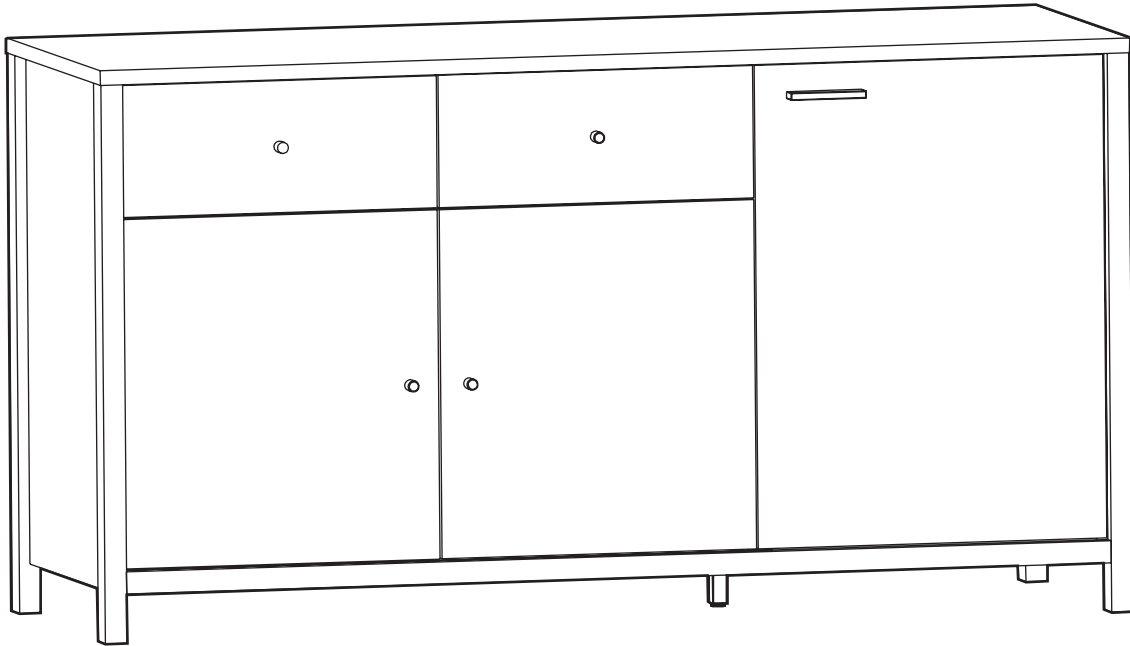


EMERSON REFRIGERATION CABINET



CAUTION

Please reference the included True Refrigeration Install Guide & User Manual for important warnings.

Recommended Tools and Materials

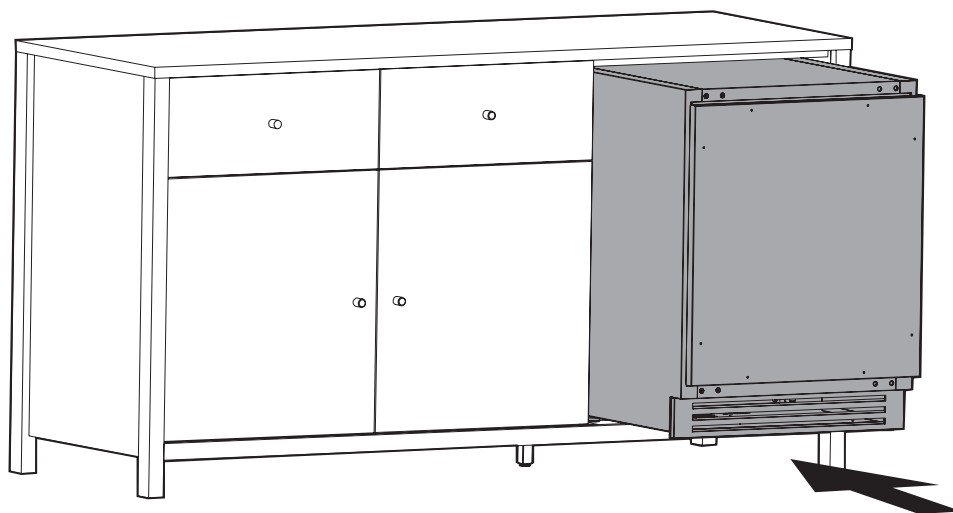
- Screwdriver or power drill
- Quick-clamp
- #2 Phillips screw driver and drill bit

Note: *We recommend assembling this product with two people.*

This Product Includes

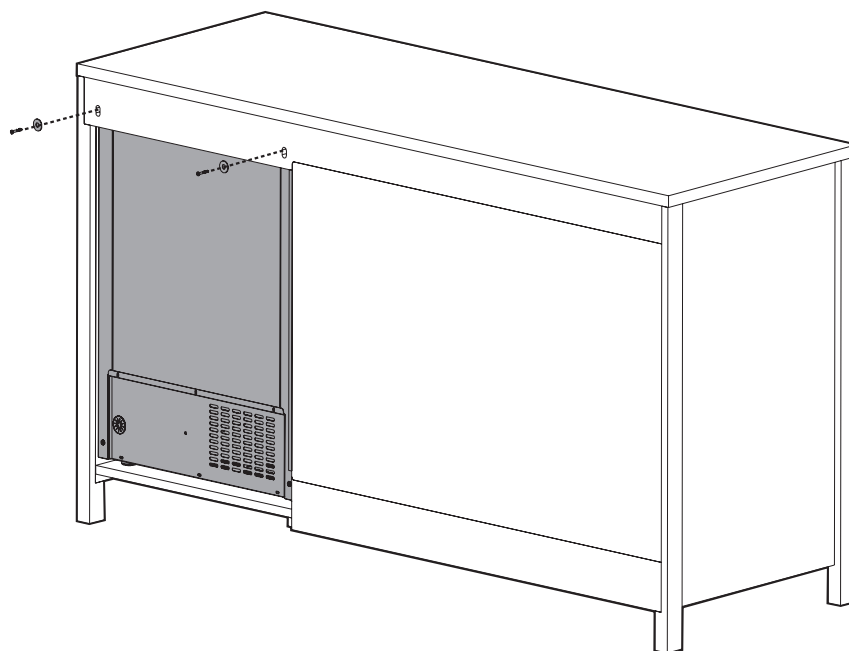
- | | |
|-----------------|-----------------------------------|
| A. Cabinet | D. Refrigerator cover panel |
| B. Screws | E. Refrigerator mounting hardware |
| C. Refrigerator | F. Door/Drawer pulls |

- 1 Insert refrigerator. Screw the leveling feet all the way into the refrigerator so that it is at the lowest possible height. With the cabinet near its final position but far enough away from the wall to access the its back, slide the refrigerator into the cabinet.



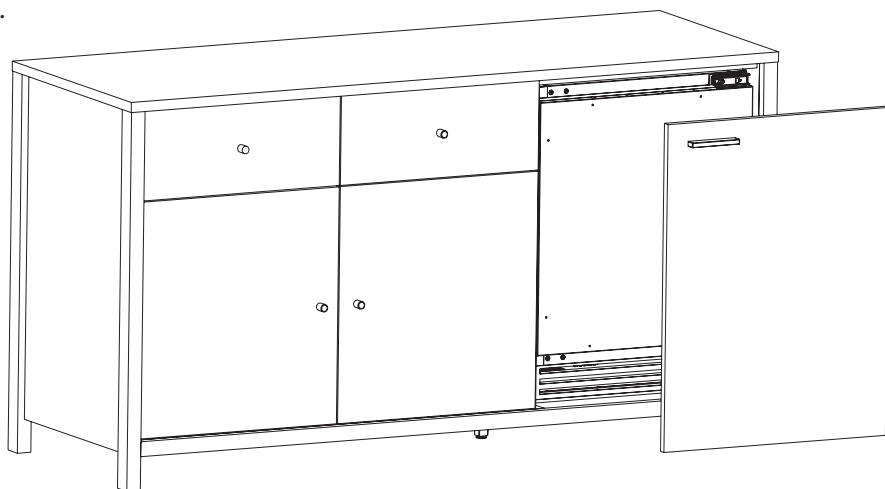
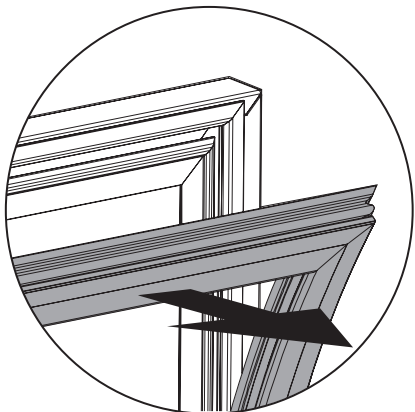
Note: If necessary, adjust leveling foot under center of cabinet

- 2 Secure the refrigerator in place using the included mounting hardware through the two upper slots on the back of the cabinet.



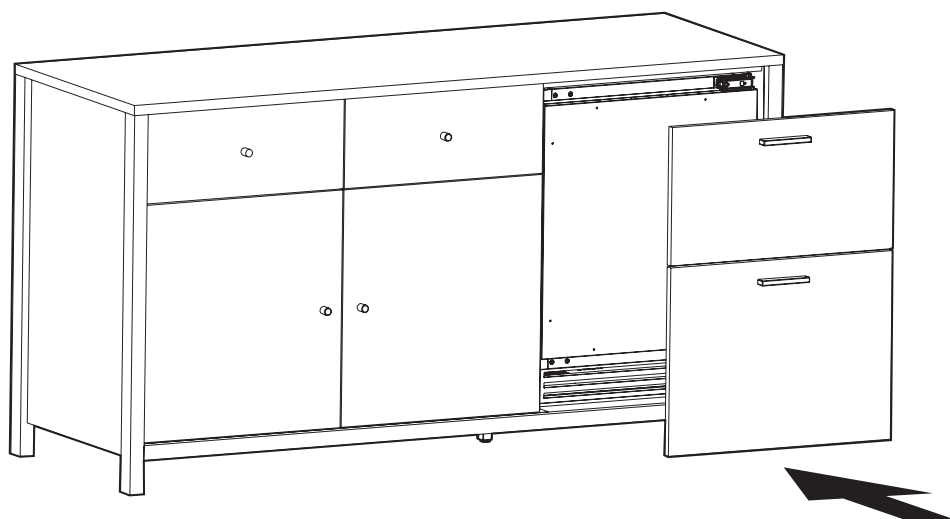
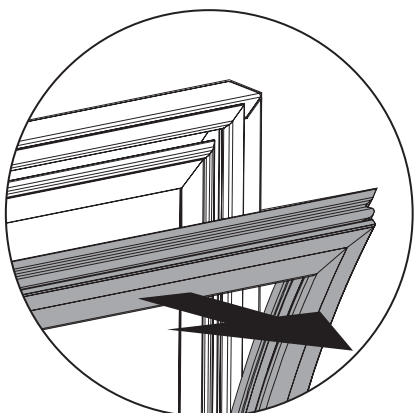
3a **Instructions for door panel.** Visually align and center the cover panel on the refrigerator door with the hardware side up. With a clamp or very firm grip, hold the panel in place while gently opening the door. Have a second person mark at least one drilling location through the L-brackets on the top and bottom of the refrigerator door. There are marks on the back side of the panel to indicate approximate mounting locations, and the mounting holes in the L-brackets are slotted for fine-tuning the panel's placement. Properly position the cover panel on the door with one screw in each L-bracket before screwing in the remaining screws.

Note: If necessary, additional mounting points can be accessed by peeling back the rubber gasket around the perimeter of the door's interior. Through-holes on the front of the refrigerator door indicate mounting locations.



3b **Instructions for 2-drawer panels.** Open each drawer and peel back the rubber gaskets around the perimeter of the drawer backsides, then close each drawer. While each drawer is closed, visually align the drawer cover panels with the other doors and drawers of the cabinet, keeping the sides with the grooved handles facing up. With clamps or a very firm grip, hold the cover panels in place on the drawers and gently open the drawers. Then, use the included wood screws to secure the drawer cover panels by screwing through the recessed gasket channels and into the drawer cover panels. Press the rubber gaskets back into place when complete.

Note: We recommend only screwing one or two attachment points first before adding all screws, so as to ensure a perfect placement.



- 4 Instructions for reversing door swing.** Disconnect the upper and lower door hinge from the body of the refrigerator by unscrewing the 2 attachment screws on each hinge. Flip the door 180 degrees into its new orientation and reinstall it by replacing the interfering screws with the ones you previously removed.

Note: Refrigerators with reversed door swings require a different cover panel to ensure hardware placement.

