

BRIDGER LINEN CABINET



CAUTION

PROFESSIONAL INSTALLATION RECOMMENDED

We highly recommend two people install this item. Professional installation is recommended. It is important to use a level throughout the installation process so that the wall cleats rest evenly and perfectly horizontal to one another. If the cleat attached to the wall is not level, Bridger will not hang securely. If hanging a set of Bridger cabinets, hang the middle cabinet first. If more than one wood stud cannot be used, Room & Board recommends adding appropriate blocking inside the wall.

INSTALLING ON WOOD STUDS IS REQUIRED. IMPROPER INSTALLATION CAN RESULT IN SERIOUS INJURY. KEEP THIS IN MIND WHEN CHOOSING CABINET LOCATION.

Recommended Tools/Materials

- Tape measure or ruler (at least 3 feet)
- Level
- Power drill
- Phillips drive bit
- 3/16" drill bit
- Pencil
- Stud finder

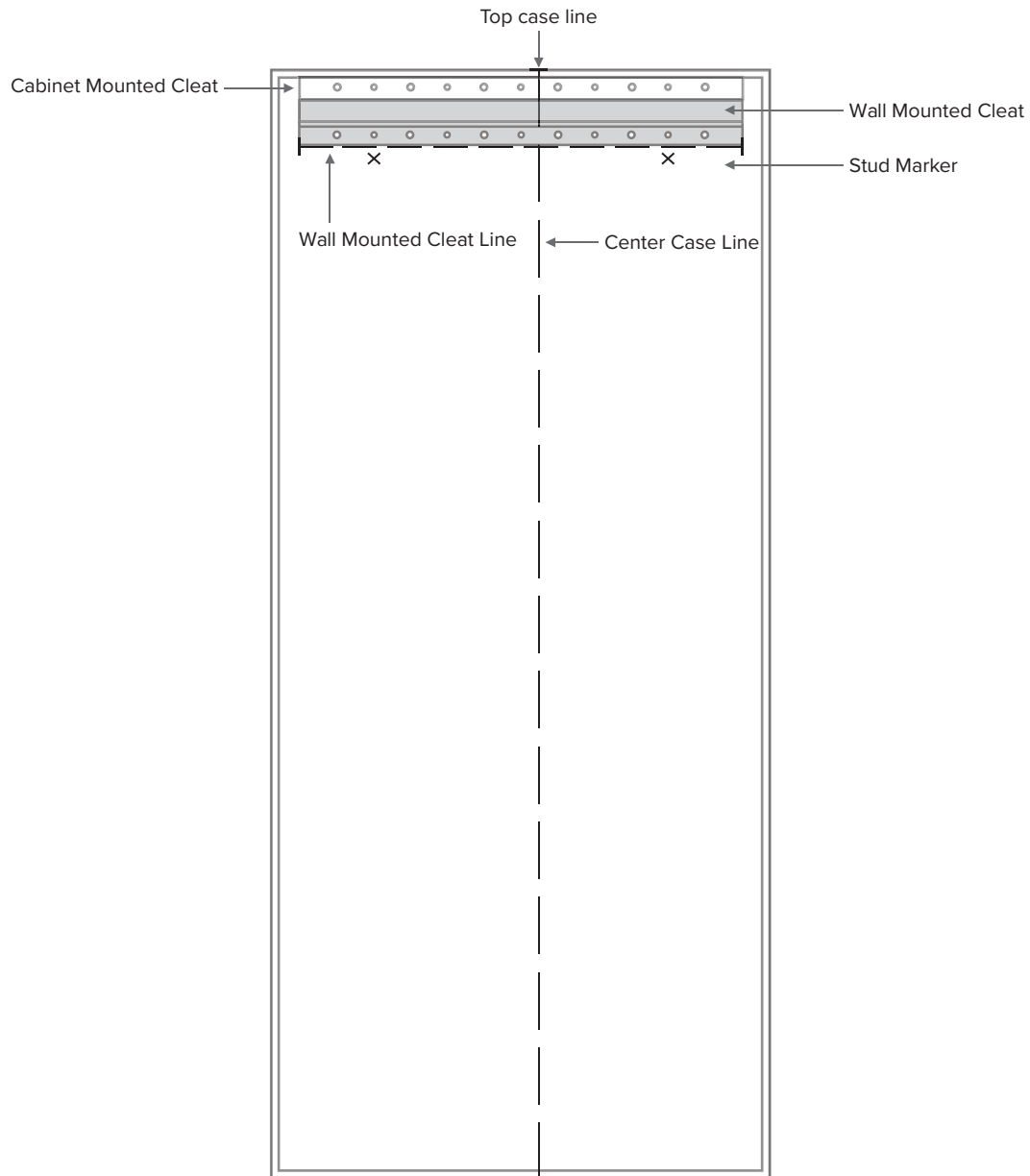
This Product Includes

- Bridger linen cabinet
- Attached wall cleat
- Detached wall cleat
- Mounting screws (7)
- Shelf pins (16)
- 3 adjustable wood shelves

BEFORE YOU BEGIN: Due to the handcrafted nature of Bridger, there may be slight variances between each piece and its bracket placement, which is why it is very important to take precise measurements for each piece you install.

Installation Instructions: Hanging Linen Cabinet

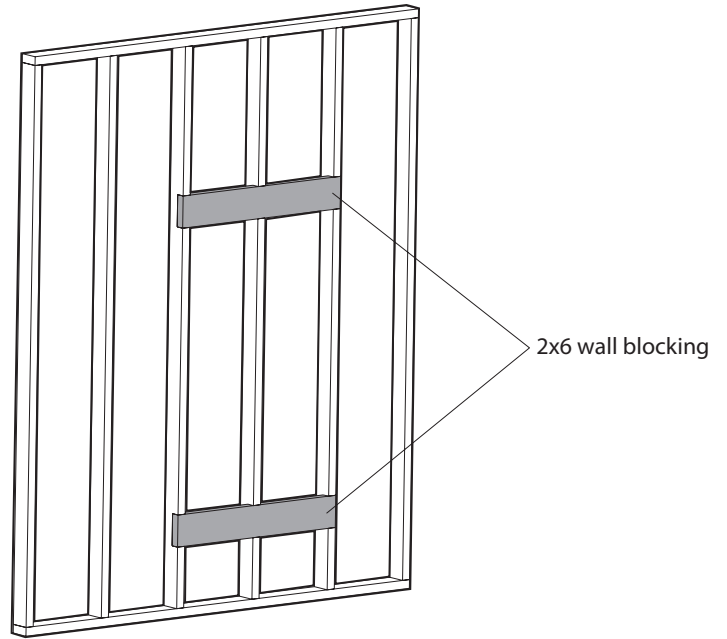
- 1 PREPARE FOR HANGING:** Keeping stud locations in mind, hold the detached wall cleat against the wall and draw a vertical line in the center of the two outermost large holes in the detached wall cleat. This is the **center case line**.
Mark a level horizontal line on the center case line where the top of the case will be. This is the **top case line**. Make sure to leave your desired amount of space under the case.



2 Measure 2 1/8" down from the Top case line and draw a horizontal line extending 9" on either side of the center case line. Use level to make sure line is horizontal. This is the **wall mounted cleat line**, where the bottom of the wall mounted cleat will be placed.

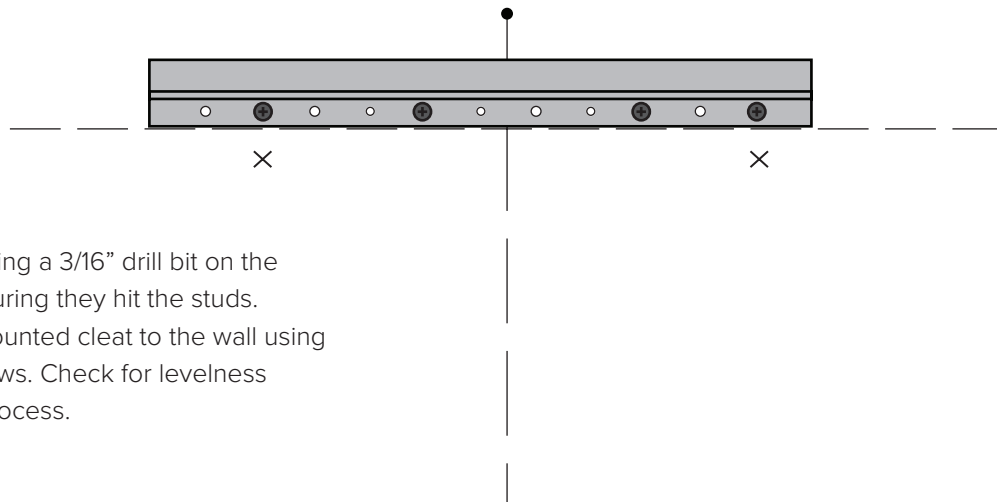
3 Below the wall mounted cleat line, use a stud finder to locate and mark the positions of studs that intersect the previously drawn wall-mounted cleat line.

NOTE: If more than one stud cannot be used, Room & Board recommends adding appropriate blocking inside the wall (see drawing to right).



Installation Instructions: Mounting the Wall Cleat

1 Align the cleat on the wall mounted cleat line, so the bottom of the cleat is touching the line and the large holes of the wall-mounting bracket align with stud(s). The cleat should be in the middle of the center case line. Ensure it is level. Then, mark the center of the large holes of the cleat onto the wall, ensuring they align with the studs. Utilize the X marks to select appropriate hole placements to hit studs with screws.



2 Drill pilot holes using a 3/16" drill bit on the marked dots, ensuring they hit the studs. Screw the wall-mounted cleat to the wall using the provided screws. Check for levelness throughout this process.

Installation Instructions: Hanging the Linen Cabinet

1 Hang the cabinet on the cleat, ensuring it's fully seated.

2 Check for levelness using a level on the top of the case.

3 Drill two pilot holes using a 3/16" drill in the interior holes of the linen cabinet.

4

Drill two anchor screws into the pilot holes for added stability and to prevent the case from being lifted up off its cleat.

