

HARTLEY STORAGE BED

Recommended Tools/Materials

- Phillips screwdriver and/or drill
- Socket set (1/2" socket) or 1/2" ratcheting wrench

This Product Includes

- Headboard with four 1" hex head bolts (two on each side)
- Footboard with five 1.75" hex head bolts (two on each side, one in middle) with washers
- Two side rails with four 1" hex head bolts (two on each rail)
- Two L-brackets (one attached to each side rail)
- Black spacer bar (fits at foot of bed)
- Steel support slats
- Two black screws attached to side rail support bars
- Storage drawer assembly (with packet of eight machine screws)
- Center Stabilizer with two wood screws

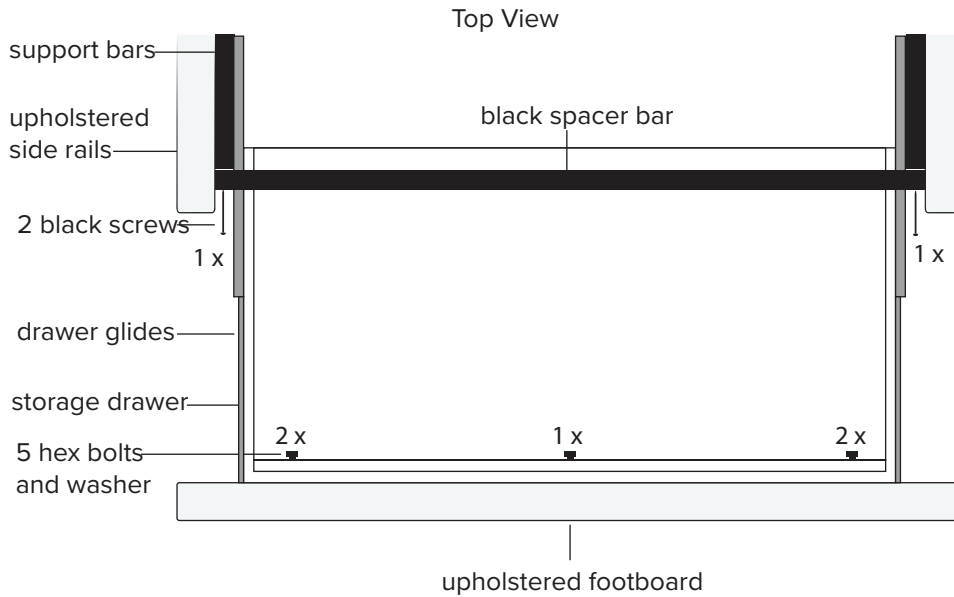
Installation Instructions

Note: We recommend assembling this item with a friend.

- 1** Stand the headboard upright. Halfway unscrew the four hex head bolts on the headboard (two on each side) to give enough room to slide on the L-bracket of one side rail.
- 2** Slide one side rail up onto the headboard so the L-bracket connects to the two hex head bolts. Tighten the two hex head bolts onto the L-bracket.
- 3** Repeat step 2 on the other side of the bed so two side rails are now attached to the headboard.

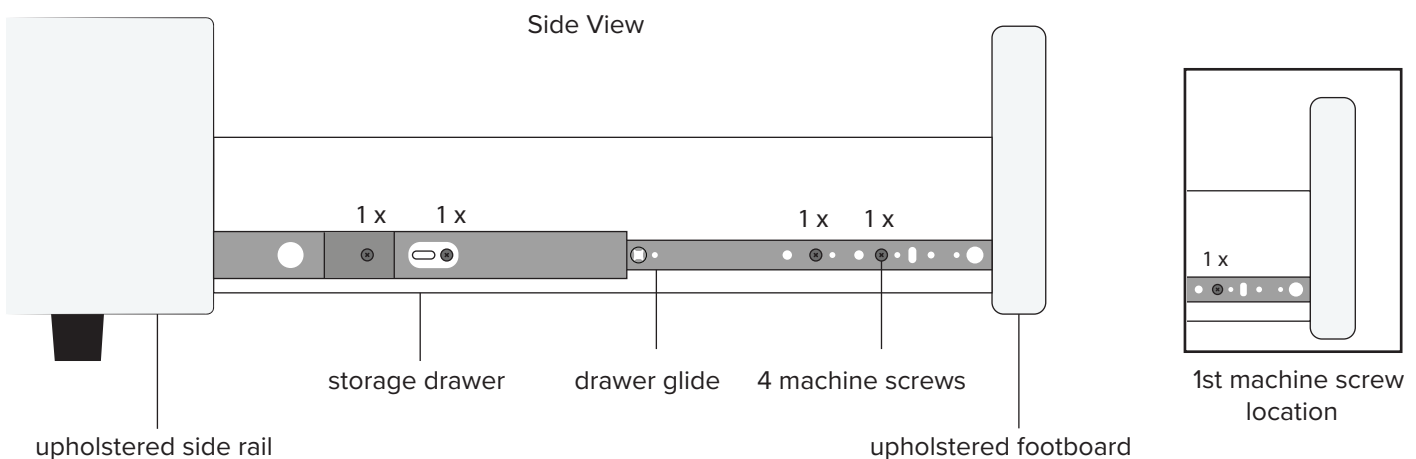
- 4** Remove two black screws (one on each end) of the support bars inside each upholstered side rail. Place black spacer bar between the side rails. Then insert the black screws in the holes on each end of the space bar and secure it to the bed.

- 5** Fully extend the metal drawer glides and place the storage drawer between glides. Insert first machine screw closest to the footboard on both sides.



- 6** Align the holes in the glides with the pilot holes in the drawer so that glides are flush with the drawer box. Insert the eight screws from the included packet into the holes (four per side) and tighten to secure. Close drawer.

- 7** Attach the upholstered footboard to the storage drawer by removing the five bolts and washers from the footboard and aligning the holes in the footboard with the holes in the drawer box. Re-insert the bolts through the washers and the holes in drawer box and tighten to secure. Close drawer.



8

Make sure the side rails and headboard are at a 90 degree angle and screw in the wood center stabilizer located in the center of the bed. Add slats to the bed. Place your mattress on the slats.

