

LUMI CHANDELIER



CAUTION

TURN OFF CIRCUIT BREAKER BEFORE INSTALLATION

Recommended Tools/Materials

- Level
- Pencil
- 1/16" drill bit
- Power drill
- #2 Phillips head screwdriver
- 5/64 Allen key
- 11/32 Sockets

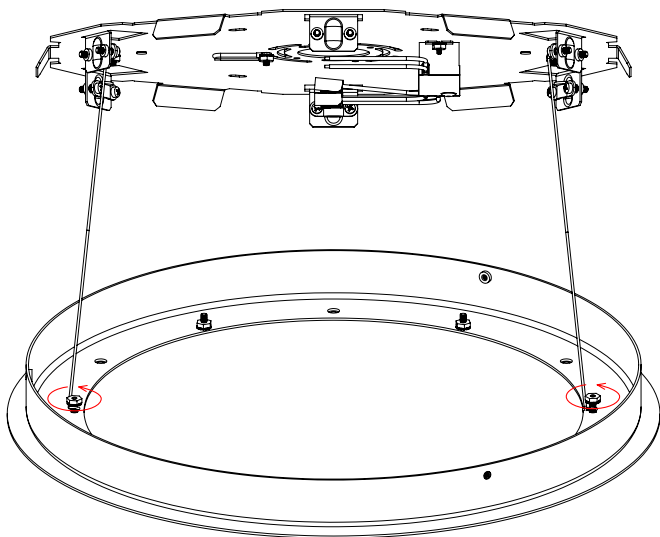
This Product Includes

- Canopy kit (canopy mounting plate attached to canopy cover via 2 tethers)
- 3 Lumi pendant modules
- Drywall anchor kit (includes 4 drywall anchors and screws)

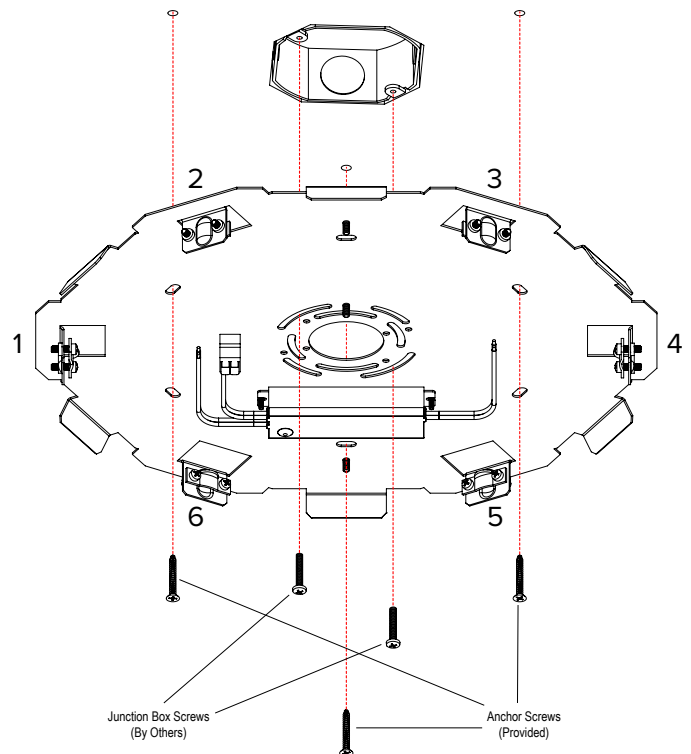
Installation Instructions

- 1 Remove the two tethers holding the canopy cover to the canopy mounting plate by removing the nuts at the canopy cover.

These tethers are only for aiding installation and do not need to be removed after installation.



- 2 Position the mounting plate over the junction box and determine the desired rotational orientation, keeping in mind that the large square openings are where the lights' cords will hang from. For example, cord opening 1 and 4 will be the hanging attachment for one horizontal pendant, so you could align those with a long dining table.



- 3 Keeping the rotational orientation in mind, align the mounting plate's junction box screw locations with your junction box, and use a pencil to mark at least 3 of the anchor screw mounting holes (do not pick ones next to each other) on your ceiling. Drill pilot holes into these locations to prepare for the anchor screws (provided), and insert plastic anchors into these holes. Then, screw the mounting plate to the junction box using your junction box screws. Finally, screw in the anchor screws to fully secure the mounting plate.

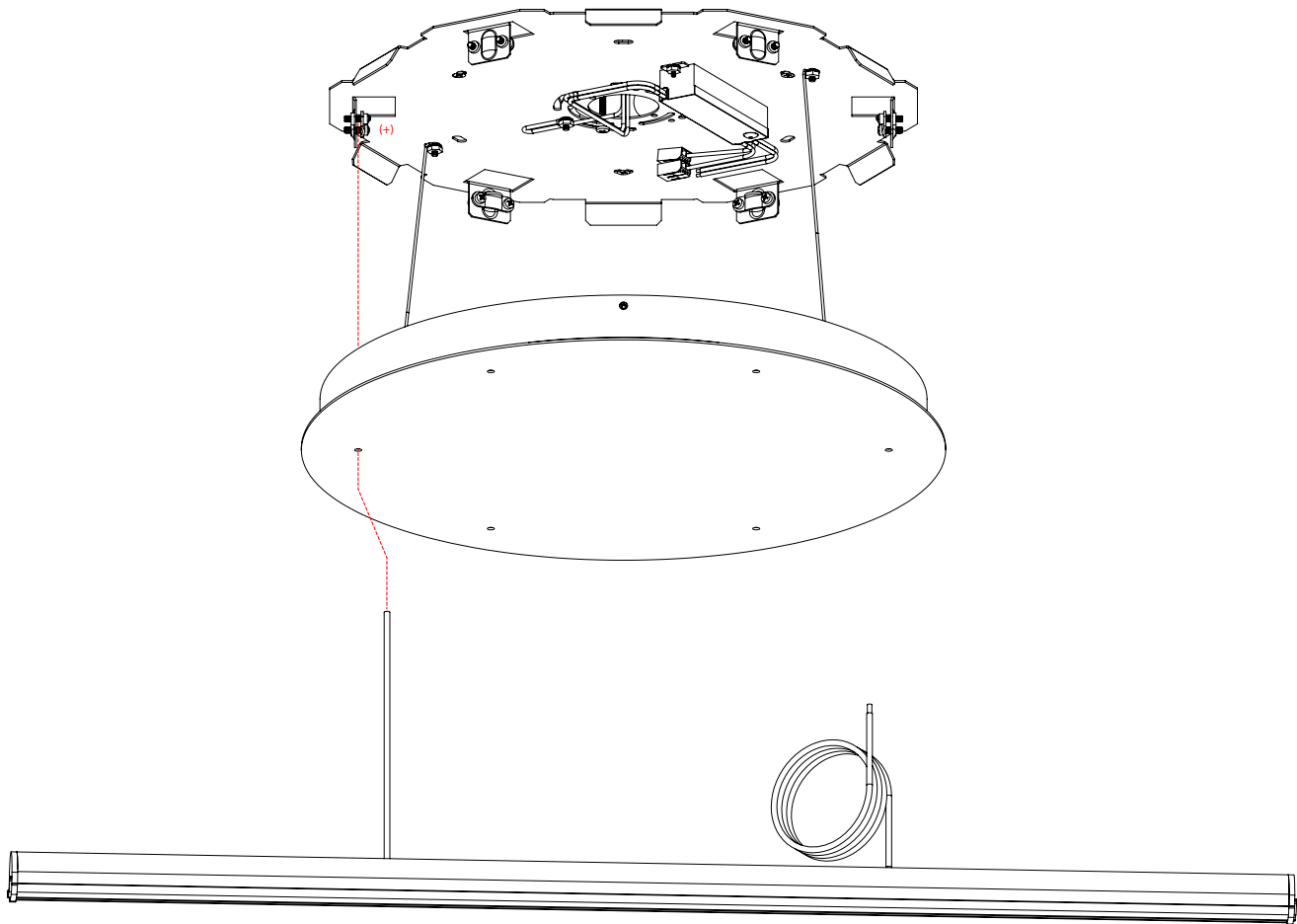
- 4 Connect the wires, following all local codes and getting help from an electrician when in doubt.

Connect the product's green grounding wire to the junction box's grounding location. Connect the product's white (positive/neutral) wire to the junction box's white wire, and connect the product's black (negative/hot) wire to the junction box's black wire.

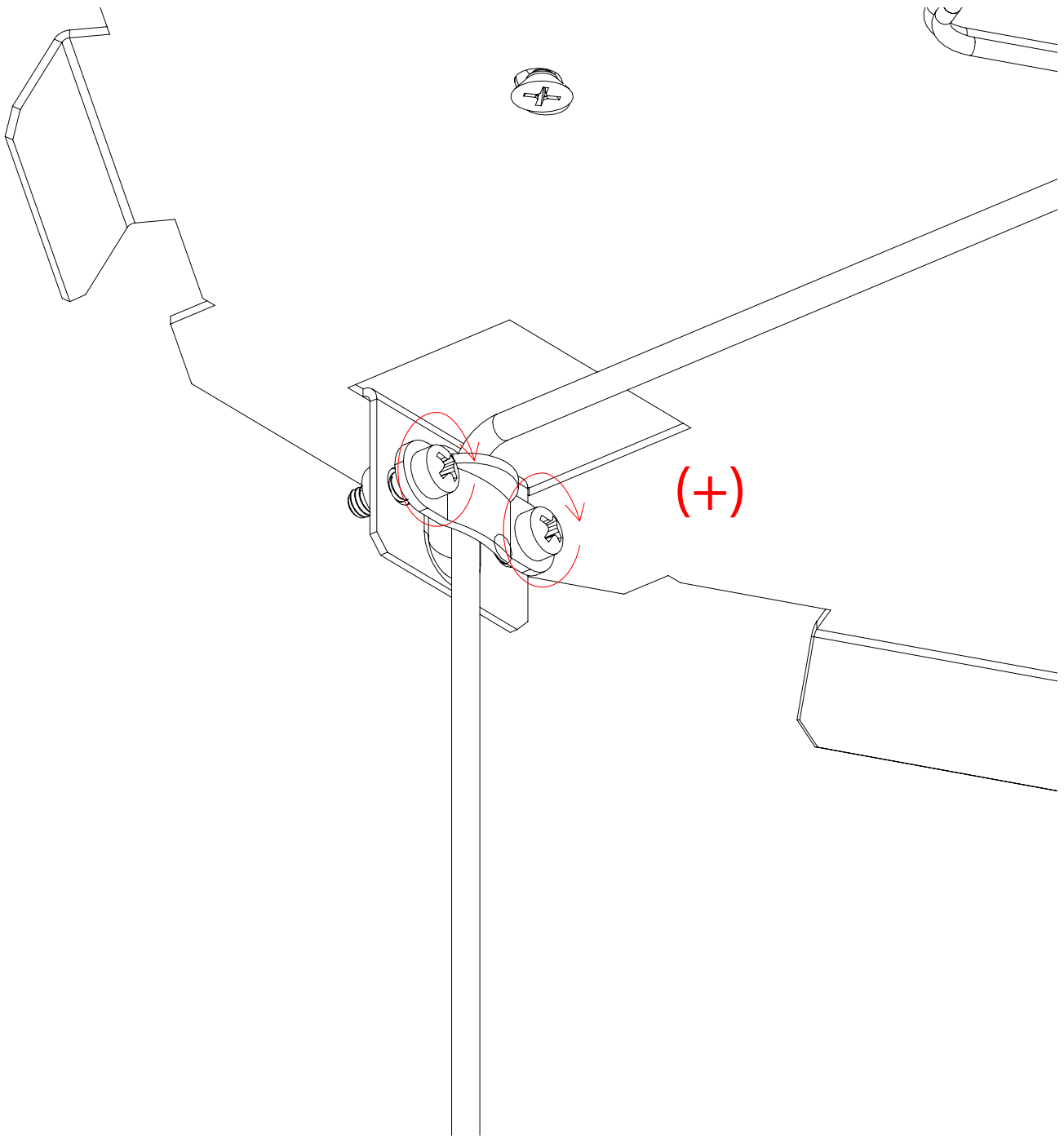
5

Re-attach the two tethers. Get one pendant and thread it through opposite holes, keeping in mind this first pendant will be the closest to the ceiling. The second one will be in the middle and the last one will be hanging the lowest. Keep this in mind when choosing your desired design.

To secure a pendant wire to the mounting plate, loosen the wire clamp screws, thread the wire through the clamp, and tighten the clamp screws.

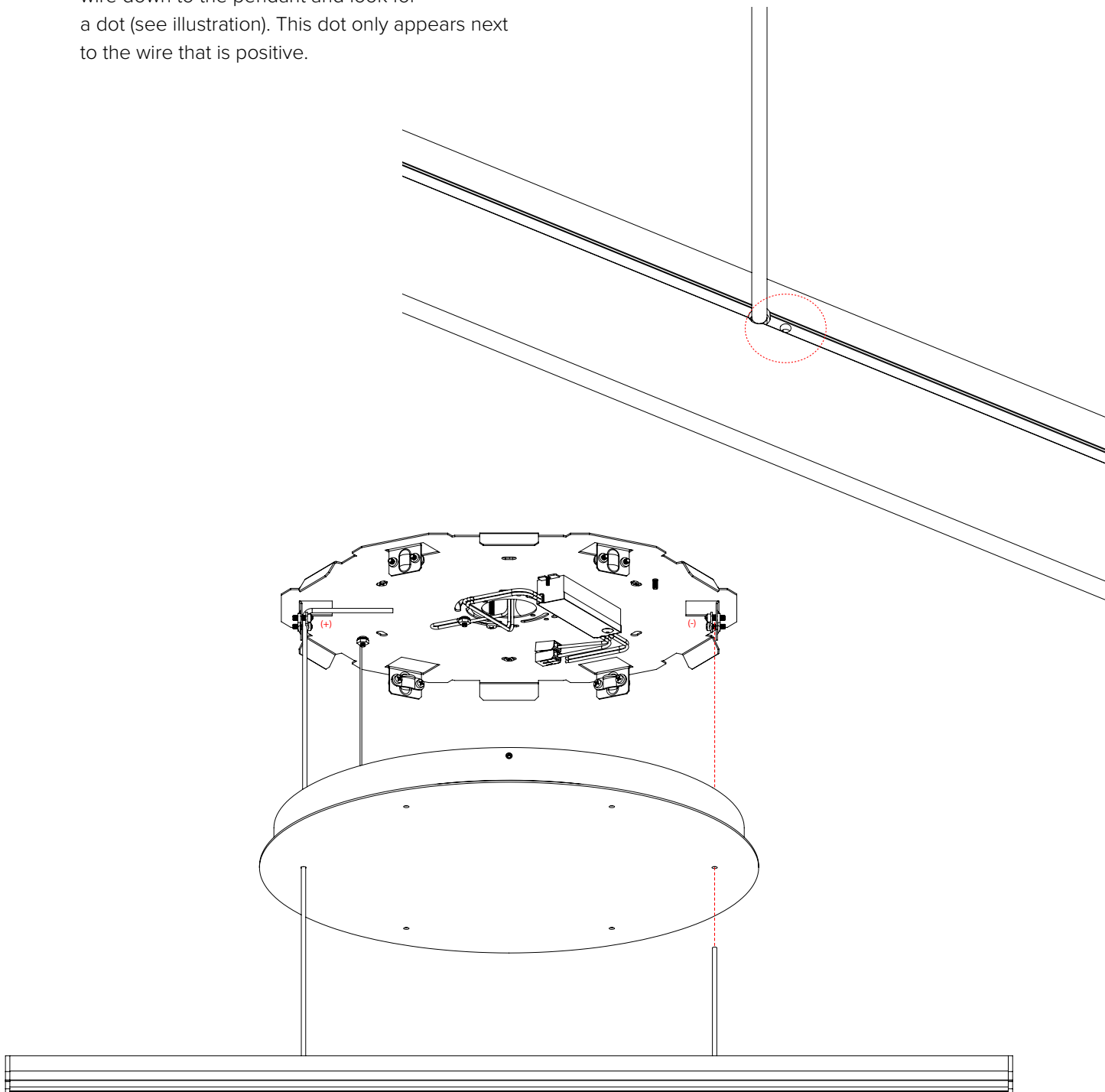


(Step 5 illustrations continued on next page)



6

Connect the product's three positive pendant wires to the LED driver's red wire connector box. Each pendant has two wires. You can tell which is positive and which is negative because the positive one is labeled, or you can follow the wire down to the pendant and look for a dot (see illustration). This dot only appears next to the wire that is positive.



7

Slide up the canopy onto the mounting plate and have a friend tell you if any of the pendants need to have their drop height adjusted. After adjusting if needed, hand-tighten the 3 canopy cover set screws to secure the canopy to the mounting plate. Turn on the circuit breaker and turn on the light.

